



SARVESH ANALYTICS Pvt. Ltd.

Sample Probes



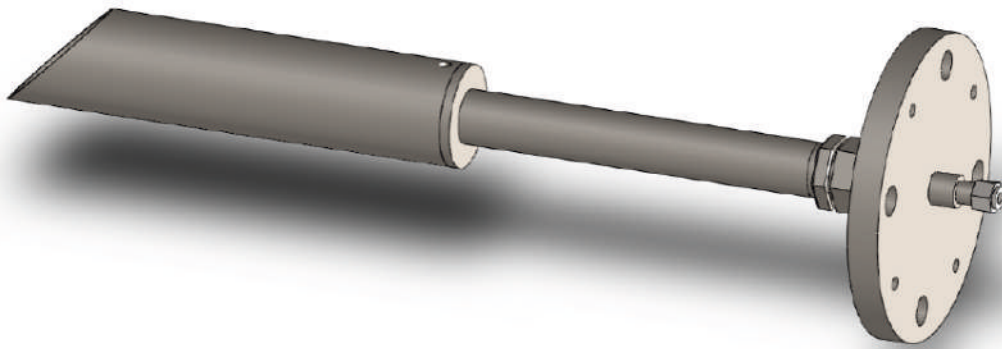
Analysis Simplified

Simple Probe - SP- 100

Sample Probe with Blowback - SP- 200

Sample Probe with Heated Filter - SP- 300

Retractable Sample Probe - SRP- 400



SIMPLE PROBE

SP - 100

SP - 100 is a simple probe design which can have an in-situ filter at the probe tip. The Filter element can be of Ss316 / PTFE / Hastelloy / Monel. Similarly the Sample Probe tube and Flange can come with various MOC. This makes it best suited for tough applications and processes. SP -100 can be provided in various pressure ratings.

Salient Features

Simple in Construction

Sample Tube MOC - SS 316, Inconel / Ceramic / PTFE

SS 316 suitable upto 550 Deg C

With or without In-Situ Filter

Filter Element MOC - SS 316, Hastelloy / Monel / PTFE

Inconel suitable upto 1100 Deg C

High Pressure rating available

With Protector for Filter Element for Abrasive gases

Ceramic suitable upto 1400 Deg C

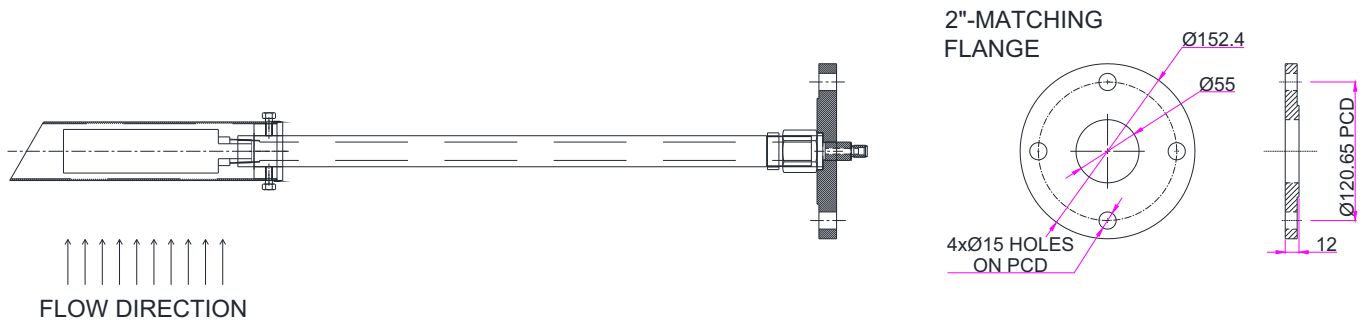
Suitable for Dust Load up to 10gm/Nm³ (for SS)

Filter @ Probe tip, remains at Sample Temperature

PTFE suitable upto 180 Deg C

Sample Temperature: 120 - 500 °C
Process Connection: 2" ANSI
Sample Gas Connection: 1/4" OD

Wetted Parts: SS316, PTFE, VITON
Design Pressure: 10 Kg/cm² (Std)
Design Temperature: 180 °C (Std)



	1	2	3	4	5	6	7	8
Sample Probe - Unheated Filter, w/o Blowback	1				X			X
Material Of Construction								
SS 316 Suitable upto 550° C	1	0	0					
Inconel 625 Suitable upto 1100° C	1	1	0					
Ceramic Suitable upto 1400° C	1	2	0					
PTFE Probe and Flange Suitable upto 180° C	1	3	0					
Filter Elements								
None					X			
Filter @ Tip, Sintered SS, 5 micron , with Protection					2			
Blowback - None					X			
Probe Insertion Length								
300 mm							0	3
500 mm							0	5
750 mm							0	7
1000 mm							1	0

Notes: - The final responsibility to check whether this product meets the requirement of the Process and / or Analyser remains solely with the customer.
 - M/s SARVESH ANALYTICS PVT. LTD. has a policy of continuous improvement of product & services and hence reserves the right to change the specifications and features without prior notice.

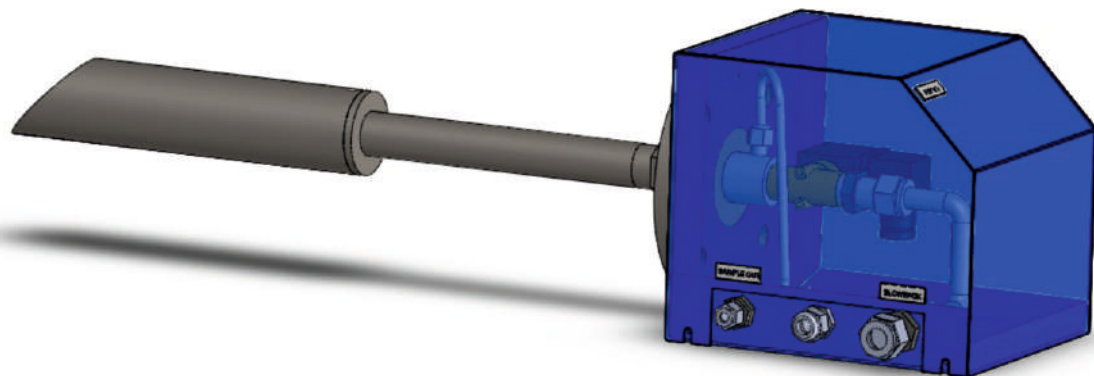
SARVESH ANALYTICS Pvt. Ltd.

Regd. Off: # 207, Vinayak Arcade, Akurdi, Pune - 411035, INDIA
 Factory: Gat No.188, Jyotibanagar, Talwade, Pune - 411062 INDIA



Email: info@sarveshindia.com
 Website: www.sarveshindia.com
 Telephone: 91 94 2300 4179





SAMPLE PROBE with BLOWBACK for Low Dew Point Sample Gas

SP - 200

SP - 200 has a protected Filter at the tip of the probe. The Blowback and Sample ports are separate which enables higher flow rate of blowback air. The Sample and Blowback lines are separated by a non-return valve which eliminates the requirement of a high temperature solenoid valve in sample line during blowback.

Salient Features

Separate Sample & Blowback Port

Eliminates Heated SOV / AOV in Sample Line

Suitable for Dust Load up to 10gm/Nm³

In-Situ Filter

With Protector for Filter Element for Abrasive gases

Suitable for Sample Moisture up to 4%

SS 316 Sintered Filter Element of 5 μ

Filter @ Probe tip, remains at Sample Temperature

Blowback Solenoid Valve is standard

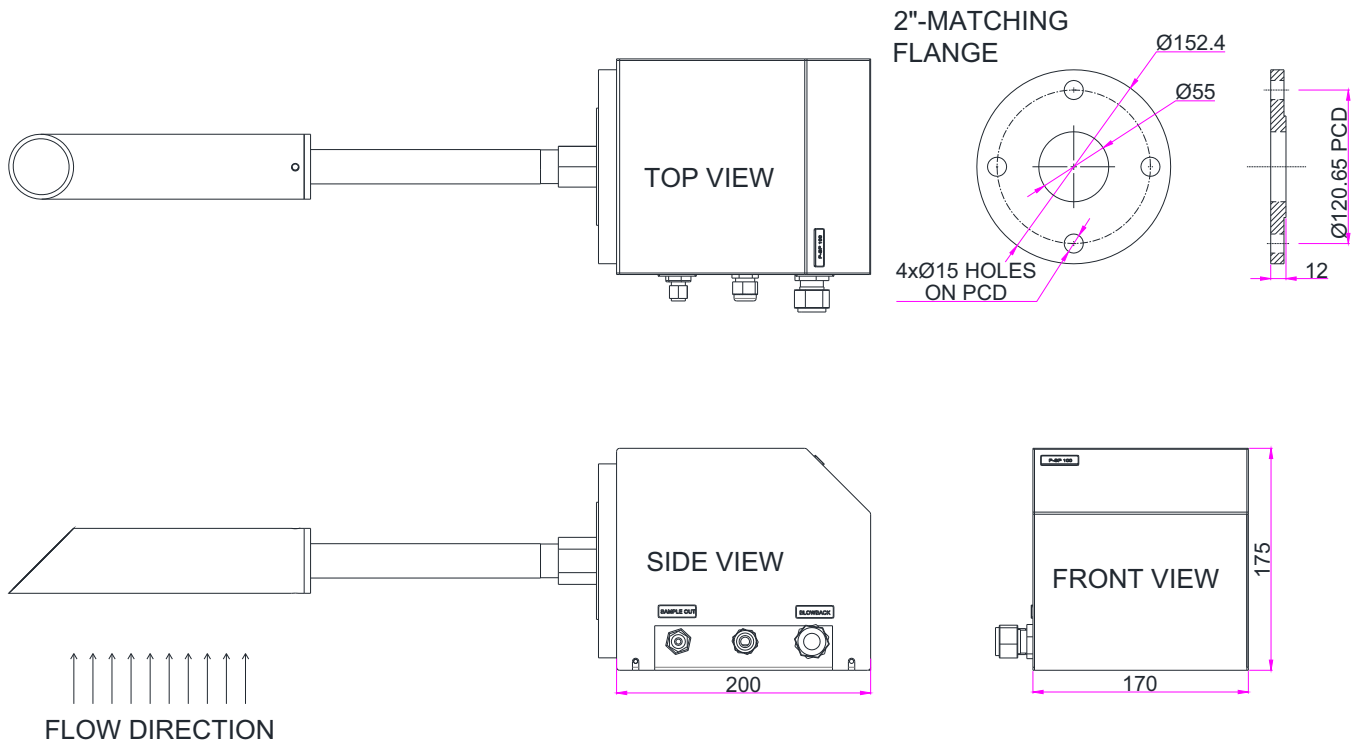
Efficient Blowback with 1/2" OD Port

Long Life Filter Element due to Uniform Cleaning

Optional Calibration Port

Sample Temperature:	120 - 500 °C
Process Connection:	2" ANSI
Sample Gas Connection:	1/4" OD
Blowback Connection:	1/2" OD

Wetted Parts: SS316, PTFE, VITON
Design Pressure: 10 Kg/cm² Max
Design Temperature: 180 °C Max
Blowback Pressure: 4 - 7 Kg/cm²



	1	2	3	4	5	6	7	8
Sample Probe - Unheated Filter, with Blowback	2				Y			X
Material Of Construction								
SS 316 Suitable upto 550° C	2	0	0					
Inconel 625 Suitable upto 1100° C	2	1	0					
Ceramic Suitable upto 1400° C	2	2	0					
Filter Elements								
None				X				
Filter @ Tip, Sintered SS, 5 micron , with Protection				2				
Blowback								
With Blowback Solenoid Valve					Y			
Probe Insertion Length								
300 mm						0	3	
500 mm						0	5	
750 mm						0	7	
1000 mm						1	0	
1500 mm (not Available in Ceramic)						1	5	

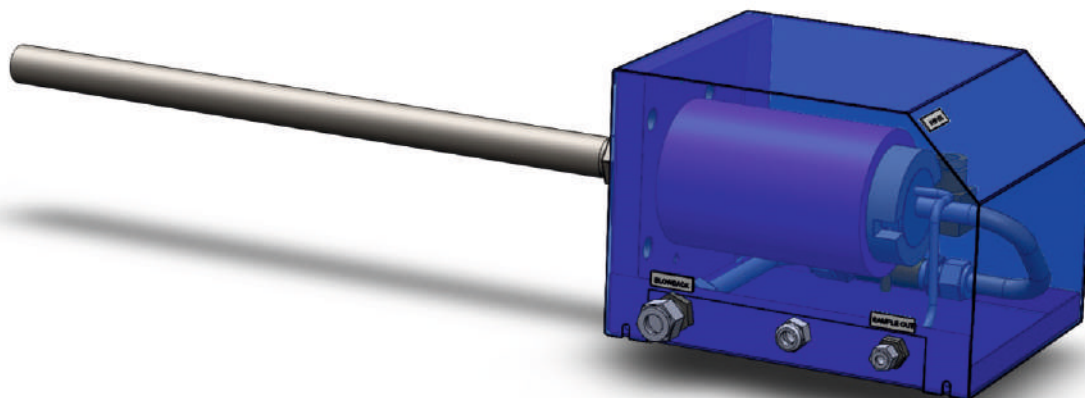
Notes: - The final responsibility to check whether this product meets the requirement of the Process and / or Analyser remains solely with the customer.
 - M/s SARVESH ANALYTICS PVT. LTD. has a policy of continuous improvement of product & services and hence reserves the right to change the specifications and features without prior notice.

SARVESH ANALYTICS Pvt. Ltd.

Regd. Off: # 207, Vinayak Arcade, Akurdi, Pune - 411035, INDIA

Factory: Gat No.188, Jyotibanagar, Talwade, Pune - 411062 INDIA


 Email: info@sarveshindia.com
 Website: www.sarveshindia.com
 Telephone: 91 94 2300 4179

SAMPLE PROBE with BLOWBACK
for High Dew Point Sample Gas

SP - 300

SP - 300 has a Heated Filter which is kept just outside the stack. The Blowback and Sample ports are separate which enables higher flow rate of blowback air. The Sample and Blowback lines are separated by a non-return valve which eliminate the requirement of a high temperature solenoid valve in sample line during blowback.

Salient Features

Separate Sample & Blowback Port

Eliminates Heated SOV / AOV in Sample Line

Extra efficient Heating 50W only

Ex-Situ Heated Filter

Suitable for Dust Load up to 10gm/Nm³

No Cold Spots with evenly Heated Element

SS 316 Sintered Filter Element of 5µ

Suitable for Sample Moisture up to 15%

Blowback Solenoid Valve is standard

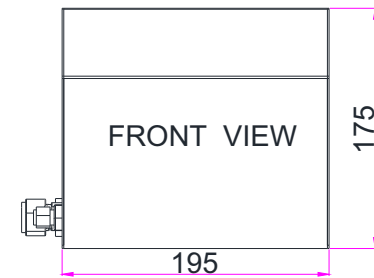
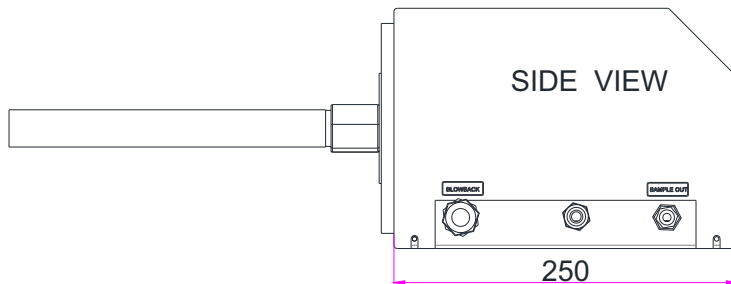
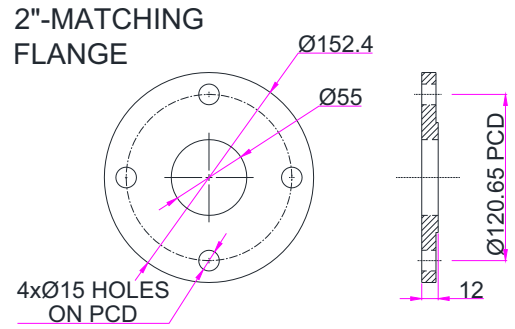
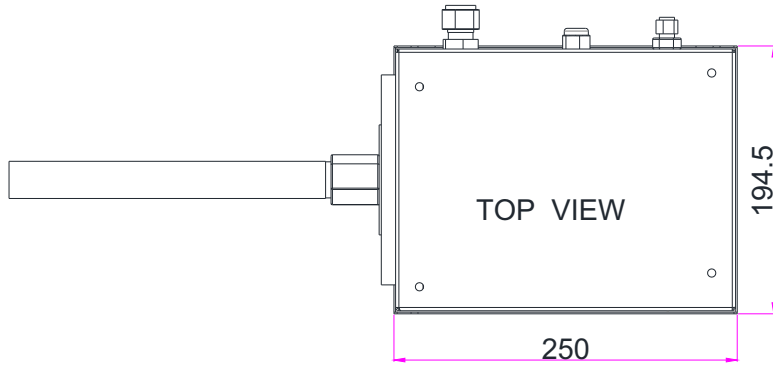
Efficient Blowback with 1/2" OD Port

Long Life Filter Element due to Uniform Cleaning

Optional Calibration Port

Sample Temperature: 120 - 500 °C
Process Connection: 2" ANSI
Sample Gas Connection: 1/4" OD
Blowback Connection: 1/2" OD

Wetted Parts: SS316, PTFE, VITON
Design Pressure: 10 Kg/cm² Max
Design Temperature: 180 °C Max
Blowback Pressure: 4 - 7 Kg/cm²



Sample Probe - Heated Filter, with Blowback

Material Of Construction

- SS 316 Suitable upto 550° C
- Inconel 625 Suitable upto 1100° C
- Ceramic Suitable upto 1400° C

Filter Elements

Filter, Sintered SS, 5 micron

Blowback

With Blowback Solenoid Valve

Probe Insertion Length

- 300 mm
- 500 mm
- 750 mm
- 1000 mm
- 1500 mm (not Available in Ceramic)

Order Code: **SP -**

	1	2	3	4	5	6	7	8
Order Code: SP -	3			Y	Y			X
Material	3	0	0					
Filter	3	1	0					
Blowback	3	2	0					
Filter Elements				Y				
Blowback					Y			
Probe Length							0	3
							0	5
							0	7
							1	0
							1	5

Notes: - The final responsibility to check whether this product meets the requirement of the Process and / or Analyser remains solely with the customer.
 - M/s SARVESH ANALYTICS PVT. LTD. has a policy of continuous improvement of product & services and hence reserves the right to change the specifications and features without prior notice.

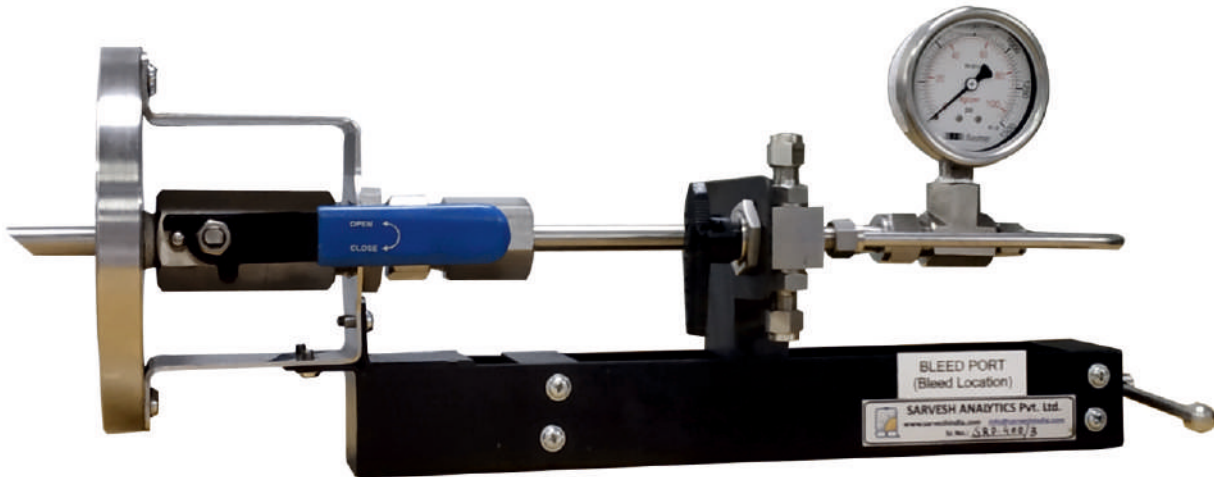
SARVESH ANALYTICS Pvt. Ltd.

Regd. Off: # 207, Vinayak Arcade, Akurdi, Pune - 411035, INDIA
 Factory: Gat No.188, Jyotibanagar, Talwade, Pune - 411062 INDIA



Email: info@sarveshindia.com
 Website: www.sarveshindia.com
 Telephone: 91 94 2300 4179





RETRACTABLE SAMPLE PROBE

SRP - 400

SRP - 400 can be inserted or removed from the active process line. The Probe tube glides through a specially designed fitting which can be safely operated up to 100 kg/cm². The retraction and insertion is smooth. It has a three way valve to isolate the downstream Sample Line or after retraction, safely bleed the trapped fluid. This makes maintenance a lot safer and easier.

Salient Features

Non Fly-Off design

Engineered for Safe Operations

Separate Sample and Bleed port

Compact and Sleek Design

No Welding on the Sample Path

Pressure indication for Safe Bleed

Simple Installation and Operation

Many options of Insertion Length available

Orifice Controlled Safe Bleed

Optional Process Isolation Valve

NACE compliance available

Negligible Dead Volume

Process Connection:

1.5" / 2" ANSI #300 / #600

Sample Tube: 12mm OD / 8mm ID

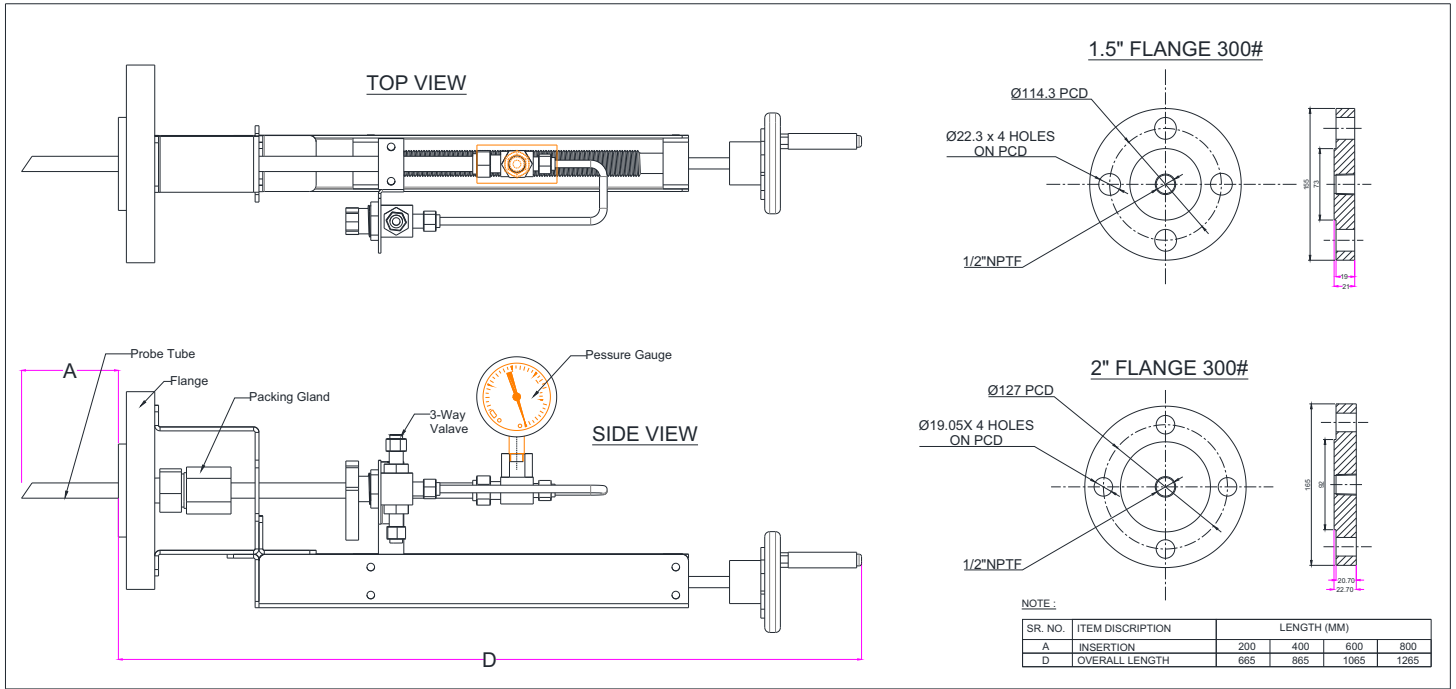
Sample Outlet & Bleed port:

1/4" or 1/8" OD

Wetted Parts: SS316, PTFE, VITON

Design Pressure: 100 Kg/cm² Max

Design Temperature: 180 °C Max



NOTE:

SR. NO.	ITEM DISCRIPTION	LENGTH (MM)			
A	INSERTION	200	400	600	800
D	OVERALL LENGTH	665	865	1065	1265

	1	2	3	4	5	6	7	8
Retractable Sample Probe								
Process Connection								
1.5" ANSI # 300 *1								
2" ANSI # 300 *1								
1.5" ANSI # 600 *2								
2" ANSI # 600 *2								
Process Isolation Valve								
None								
2 Way Ball Valve								
Bleed Valve								
None								
3 Way Ball Valve - 1/8" OD								
3 Way Ball Valve - 1/4" OD								
Probe Retraction Length								
200 mm								
400 mm								
600 mm								
800 mm								

Order Code: **SRP-**

		0						X
--	--	---	--	--	--	--	--	---

* 1 Pressure Gauge = 25kg/cm2
* 2 Pressure Gauge = 40kg/cm2

Notes: - The final responsibility to check whether this product meets the requirement of the Process and / or Analyser remains solely with the customer.
- M/s SARVESH ANALYTICS PVT. LTD. has a policy of continuous improvement of product & services and hence reserves the right to change the specifications and features without prior notice.

SARVESH ANALYTICS Pvt. Ltd.

Regd. Off: # 207, Vinayak Arcade, Akurdi, Pune - 411035, INDIA
Factory: Gat No.188, Jyotibanagar, Talwade, Pune - 411062 INDIA



Email: info@sarveshindia.com
Website: www.sarveshindia.com
Telephone: 91 94 2300 4179

