

SRP - 400

Retractable Sample Probe

SRP - 400 can be inserted or removed from a active process line. The Probe tube glides through a specially designed fitting which can be safely operated up to 100 kg/cm². The Retraction and Insertion is smooth. It has a three way Valve to isolate the downstream Sample Line or after retraction, safely bleed the trapped fluid. This makes maintenance a lot safer and easier.

Salient Features

Non Fly-Off design

Engineered for Safe Operations

Separate Sample and Bleed port

Compact and Sleek Design

No Welding on the Sample Path

Pressure indication for Safe Bleed

Simple Installation and Operation

Many options of Insertion Length available

Orifice Controlled Safe Bleed

Optional Process Isolation Valve

NACE compliance available

Negligible Dead Volume

Process Connection:

1.5" / 2" ANSI #300/#600

Sample Tube: 12mm OD / 8mm ID

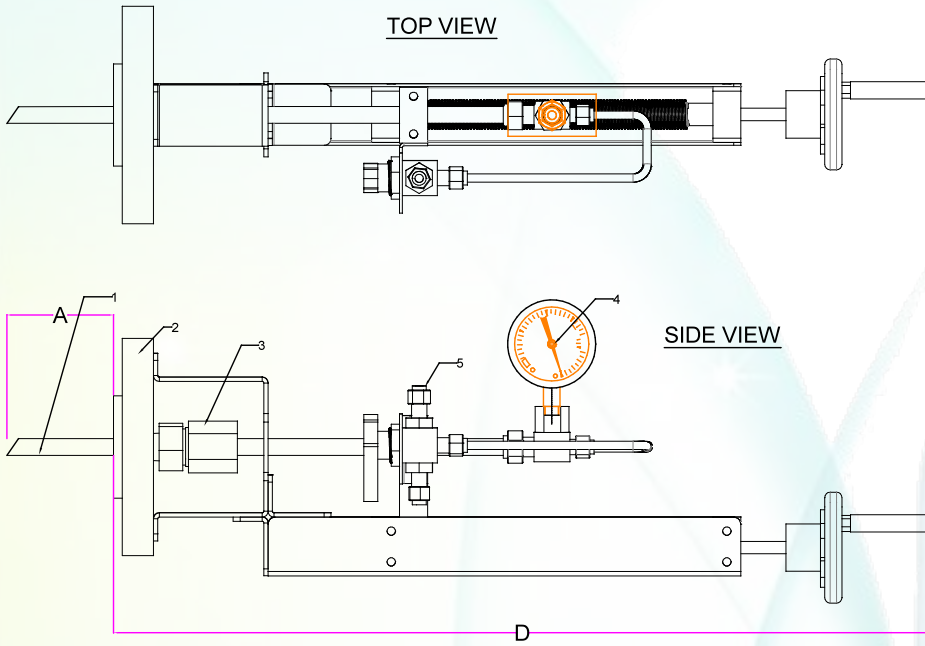
Sample Outlet & Bleed port:

1/4" or 1/8" OD

Wetted Parts: SS316, PTFE, VITON

Design Pressure: 100 Kg/cm² Max

Design Temperature: 180 °C Max



SR. NO.	ITEM DISCRIPTION	MOC.	SPECIFICATION	QTY.
1	PROBE	SS-316	12 MM OD	1
2	FLANGE	SS-316	1.5" x 300#	1
3	CONAX GLAND	PTFE , SS-316	-	1
4	PRESSURE GAUGE	SS-316	0-100 Kg/cm2	1
5	3-WAY BALL VALVE	SS-316	1/4" OD	1

NOTE :

SR. NO.	ITEM DISCRIPTION	LENGTH (MM)			
		200	400	600	800
A	INSERTION				
D	OVERALL LENGTH	665	865	1065	1265

Ordering Code

	1	2	3	4	5	6	7	8	9	10	11	12
SRP -	4				X				X	X	X	X

Process Connection

1.5" ANSI # 300	*1	0	0
2" ANSI # 300	*1	0	1
1.5" ANSI # 600	*2	1	0
2" ANSI # 600	*2	1	1

* 1 Pressure Gauge = 25kg/cm2

* 2 Pressure Gauge = 40kg/cm2

Process Isolation Valve

None	X
2-Way Ball Valve	Y

Future Use

None	X
None	X

Bleed Valve

X	None
1	3-Way Ball Valve - 1/8" OD
2	3-Way Ball Valve - 1/4" OD

Retraction Length of Probe

0	2	200 mm
0	4	400 mm
0	6	600 mm
0	8	800 mm (maximum)

Notes: - The final responsibility to check whether this product meets the requirement of the Process and / or Analyser remains solely with the customer.
 - M/s SARVESH ANALYTICS PVT. LTD. has a policy of continuous improvement of product & services and hence reserves the right to change the specifications and features without prior notice.

SARVESH ANALYTICS Pvt. Ltd.

Regd. Off: # 207, Vinayak Arcade, Akurdi, Pune - 411035, INDIA
 Factory: Gat No.188, Jyotibanagar, Talwade, Pune - 411062 INDIA



Email: info@sarveshindia.com
 Website: www.sarveshindia.com
 Telephone: 91 94 2300 4179