



# **SARVESH ANALYTICS Pvt. Ltd.**



**Analysis Simplified**

**Simple Probe - SP- 100**

**Sample Probe with Blowback - SP- 200**

**Sample Probe with Heated Filter - SP- 300**

**Retractable Sample Probe - SRP- 400**

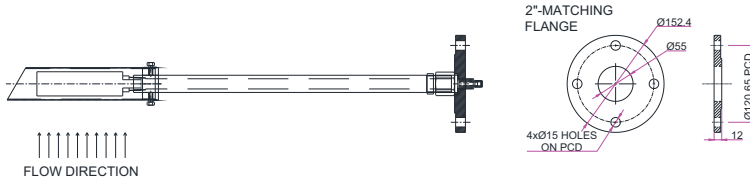
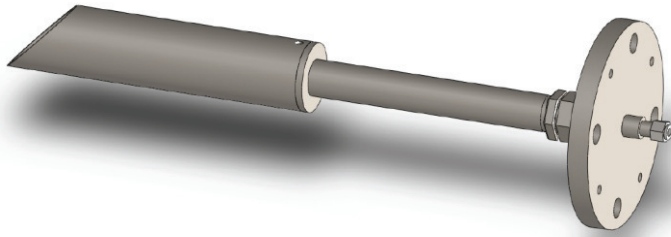
Tele: 91-94 2300 4179

email: [info@sarveshindia.com](mailto:info@sarveshindia.com)

[www.sarveshindia.com](http://www.sarveshindia.com)



# SP-100



**Simple in Construction**  
**Filter at the Probe tip,**  
**remains at Sample Temperature**

**SS 316 Sintered Filter Element of 5µ**  
**With Protector for Filter Element**  
**for Abrasive gases**  
**Suitable for Dust Load < 10gm/Nm<sup>3</sup>**

**Choice of various Material of Construction**  
**Process Connection: 2" ANSI**  
**Sample Gas Connection: 1/4" OD**

## SIMPLE PROBE

### Probe Type

Sample Probe - Unheated, without Blowback

### Material Of Construction

SS 316 Suitable upto 550° C

Inconel 625 Suitable upto 1100° C

Ceramic Suitable upto 1400° C

PTFE Probe and Flange Suitable upto 180° C

### Filter Elements

None

Filter, Sintered SS, 5 micron @ Tip with Protection

### Blowback Port - None

### Probe Insertion Length

300 mm

500 mm

750 mm

1000 mm

Order Code: 

1	2	3	4	5	6	7	8
P	1				X		

1 0 0

1 1 0

1 2 0

1 3 0

X

2

X

0 3

0 5

0 7

1 0

Notes: - The final responsibility to check whether this product meets the requirement of the Process and / or Analyser remains solely with the customer.  
 - M/s SARVESH ANALYTICS PVT. LTD. has a policy of continuous improvement of product & services and hence reserves the right to change the specifications and features without prior notice.

## SARVESH ANALYTICS Pvt. Ltd.

Regd. Off: # 207, Vinayak Arcade, Akurdi, Pune - 411035, INDIA

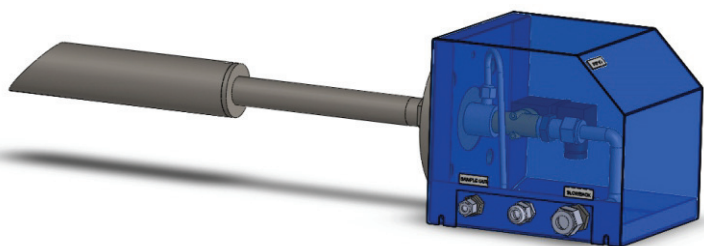
Factory: Gat No.188, Jyotibanagar, Talwade, Pune - 411062 INDIA



Email: info@sarveshindia.com  
 Website: www.sarveshindia.com  
 Telephone: 91 94 2300 4179



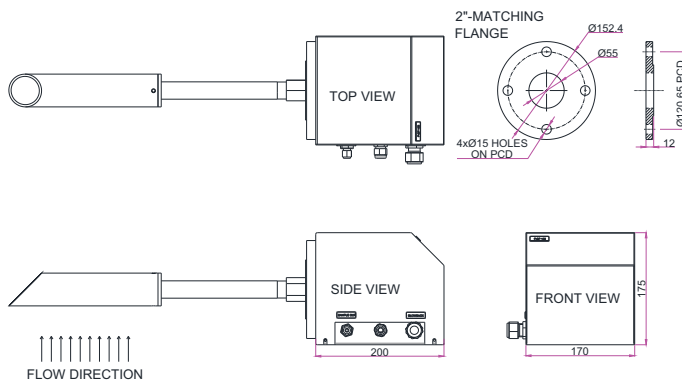
# SP-200



**Filter at the Probe tip, remains at Sample Temperature**  
**Efficient Blowback with 1/2" OD port**  
**Separate Sample and Blowback Path**

**SS 316 Sintered Filter Element of 5µ**  
**With Protector for Filter Element for Abrasive gases**  
**Suitable for Dust Load < 10 gm/Nm<sup>3</sup>**  
**Sample Moisture < 4%**

**Sample Temperature: 120 - 500 °C**  
**Process Connection: 2" ANSI**  
**Sample Gas Connection: 1/4" OD**  
**Blowback Connection: 1/2" OD**



## **SAMPLE PROBE with BLOWBACK** **for Low Dew Point Sample Gas**

	1	2	3	4	5	6	7	8
<b>Probe Type</b>	P	2				Y		
Sample Probe - Unheated Filter, with Blowback								
<b>Material Of Construction</b>								
SS 316 Suitable upto 550° C		2	0	0				
Inconel 625 Suitable upto 1100° C		2	1	0				
Ceramic Suitable upto 1400° C		2	2	0				
<b>Filter Elements</b>								
None						X		
Filter, Sintered SS, 5 micron @ Tip with Protection						2		
<b>Blowback</b>								
With Blowback Solenoid Valve							Y	
<b>Probe Insertion Length</b>								
500 mm							0	5
750 mm							0	7
1000 mm							1	0
1500 mm (not Available in Ceramic)							1	5

Notes: - The final responsibility to check whether this product meets the requirement of the Process and / or Analyser remains solely with the customer.  
- M/s SARVESH ANALYTICS PVT. LTD. has a policy of continuous improvement of product & services and hence reserves the right to change the specifications and features without prior notice.

## **SARVESH ANALYTICS Pvt. Ltd.**

Regd. Off: # 207, Vinayak Arcade, Akurdi, Pune - 411035, INDIA

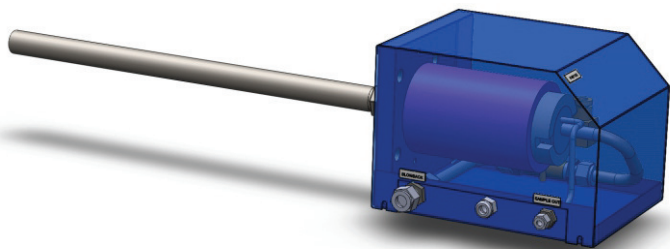
Factory: Gat No.188, Jyotibanagar, Talwade, Pune - 411062 INDIA



Email: info@sarveshindia.com  
Website: www.sarveshindia.com  
Telephone: 91 94 2300 4179



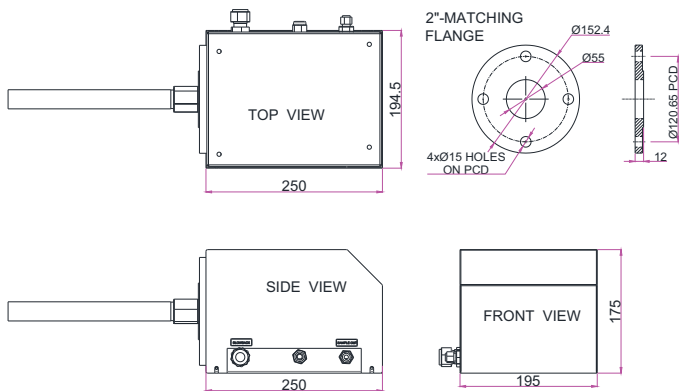
# SP-300



Filter is Ex-situ and heated  
Efficient Blowback with 1/2" OD port  
Separate Sample and Blowback Path  
Blowback Solenoid Valve is standard

SS 316 Sintered Filter Element of 5µ  
Long life Filter Element  
Optional Calibration Port  
Suitable for Dust Load < 10gm/Nm<sup>3</sup>  
Sample Moisture < 15%

Sample Temperature: 120 - 500 °C  
Process Connection: 2" ANSI  
Sample Gas Connection: 1/4" OD  
Blowback Connection: 1/2" OD



## SAMPLE PROBE with BLOWBACK for High Dew Point Sample Gas

	1	2	3	4	5	6	7	8
<b>Probe Type</b>	P	3			Y	Y		
Sample Probe - Heated Filter, with Blowback								
<b>Material Of Construction</b>								
SS 316 Suitable upto 550° C		3	0	0				
Inconel 625 Suitable upto 1100° C		3	1	0				
Ceramic Suitable upto 1400° C		3	2	0				
<b>Filter Elements</b>								
Filter, Sintered SS, 5 micron					Y			
<b>Blowback</b>								
With Blowback Solenoid Valve						Y		
<b>Probe Insertion Length</b>								
300 mm							0	3
500 mm							0	5
750 mm							0	7
1000 mm							1	0
1500 mm (not Available in Ceramic)							1	5

Notes: - The final responsibility to check whether this product meets the requirement of the Process and / or Analyser remains solely with the customer.  
- M/s SARVESH ANALYTICS PVT. LTD. has a policy of continuous improvement of product & services and hence reserves the right to change the specifications and features without prior notice.

### SARVESH ANALYTICS Pvt. Ltd.

Regd. Off: # 207, Vinayak Arcade, Akurdi, Pune - 411035, INDIA

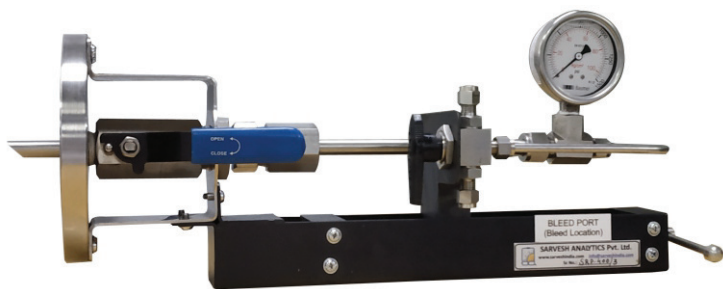
Factory: Gat No.188, Jyotibanagar, Talwade, Pune - 411062 INDIA



Email: info@sarveshindia.com  
Website: www.sarveshindia.com  
Telephone: 91 94 2300 4179



# SRP - 400



## RETRACTABLE SAMPLE PROBE

**Non Fly-Off design**  
**No Welding on the Sample Path**  
**Negligible Dead Volume**  
**Separate Sample and Bleed port**

**Pressure indication for Safe Bleed**  
**Orifice Controlled Safe Bleed**  
**Optional Process Isolation Valve**  
**NACE compliance available**

**Process Connection: 1.5" ANSI #300 / #600**  
**Sample Tube: 12mm OD**  
**Sample Outlet & Bleed port: 1/4" or 1/8" OD**

**Wetted Parts: SS316, PTFE, VITON**  
**Design Pressure: 100 Kg/cm2 Max**  
**Design Temperature: 180 °C Max**

	1	2	3	4	5	6	7	8
<b>Probe Type</b>	Order Code: P <input type="text"/> <input type="text"/> <input type="text"/> 0 <input type="text"/> <input type="text"/> <input type="text"/> <input type="text"/> 0							
Sample Probe - Retractable								
<b>Process Connection</b>								
1.5" ANSI # 300		4	0	0				
1.5" ANSI # 600		4	1	0				
<b>Process Isolation Valve</b>								
None							x	
2 Way Ball Valve							Y	
<b>Bleed Valve</b>								
None							x	
3 Way Ball Valve - 1/8" OD							1	
3 Way Ball Valve - 1/4" OD							2	
<b>Probe Retraction Length</b>								
200 mm							0	2
400 mm							0	4
600 mm							0	6

Notes: - The final responsibility to check whether this product meets the requirement of the Process and / or Analyser remains solely with the customer.  
 - M/s SARVESH ANALYTICS PVT. LTD. has a policy of continuous improvement of product & services and hence reserves the right to change the specifications and features without prior notice.

### SARVESH ANALYTICS Pvt. Ltd.

Regd. Off: # 207, Vinayak Arcade, Akurdi, Pune - 411035, INDIA  
 Factory: Gat No.188, Jyotibanagar, Talwade, Pune - 411062 INDIA



Email: info@sarveshindia.com  
 Website: www.sarveshindia.com  
 Telephone: 91 94 2300 4179