



## **S G I 3 0 0**

Sarvesh Analytics brings the most powerful Peltier based Sample Gas Cooler with integrated Autodrain, Filter and Condensate Sensor in a most compact form. It simplifies the sample condition design and assembly.

### **Complete Cooler System**

Compact Peltier Based System

Solid Heat Exchanger

Heat Exchanger - PTFE

High Efficiency Single Channel

### **Salient Features**

PLUG and PLAY

Microprocessor based Electronics with  
inbuilt Moisture Protection Logic

Sample Pump output is ON only when

- Sample temperature  $< 12^{\circ}\text{C}$
- Sample is dry without Condensate

### **SGI-300 Includes**

- ✓ Integrated Peristaltic Pumps
- ✓ Sample Filter with Condensate Sensor
- ✓ Output to drive External Sample Pump
- ✓ Pump Control Logic
- ✓ Condensate Detector Logic
- ✓ Fault Relay output

- ✎ ***Reduces Tubing and Electrical***
- ✎ ***Consumes Less Panel Space***
- ✎ ***Faster Integration Time***
- ✎ ***Reduces cost***

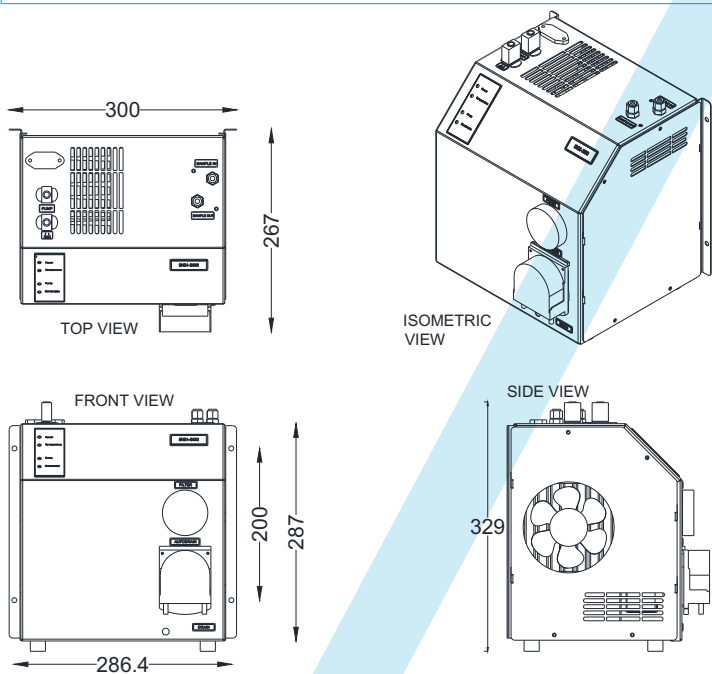


### Hardware Specifications

Cooler Specifications:	
Heat Exchanger	1 x PTFE
Sample Inlet Temperature	Max 140° C
Sample Dew Point	65° C max
Sample Flow	240 LPH (4 LPM) max
Sample Outlet Temperature	5° C
Sample Dust Level	< 3 micron
Peristaltic Pumps	1 no.s
Sample Fine Filter:	0.1 Micron Coalescing Type
Condensate Sensor:	Long life corrosion free Sensor
Output :	Triac Output to Drive a External Sample Pump rated @ 230V AC 50Hz, 1A max
Fault Relay:	Potential Free CO contact, rated @ 230 VAC, 1 A
Wetted Parts:	SS 316, PTFE, Viton, Silicon, HDPE

### Environmental Conditions

Ambient Temperature:	+10°C to + 40°C
Storage Temperature:	+0°C to + 50°C
Relative Humidity:	< 90% RH non-condensing
Area Classification:	Safe Area



### Salient Features

The Micro controller controls the following loops

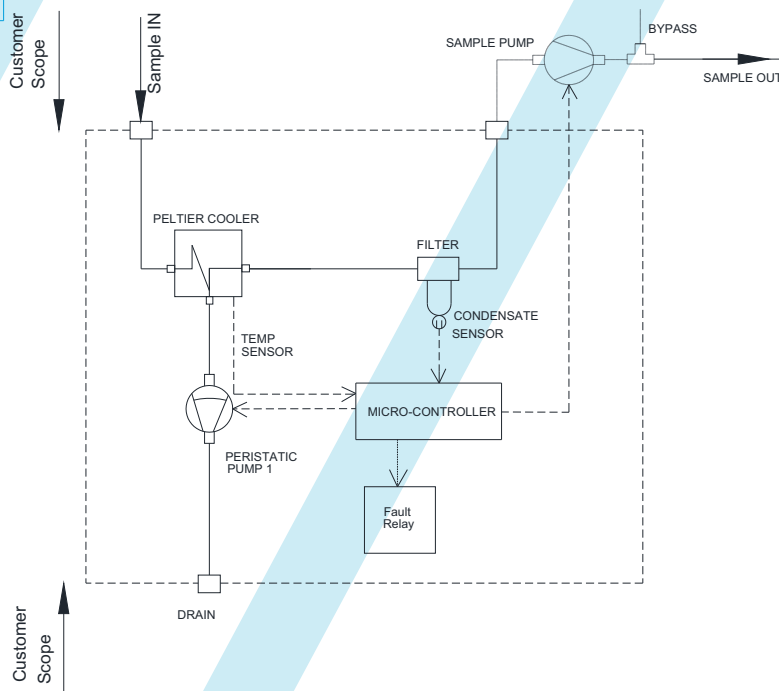
- ✓ maintains the temperature of the cooler to get 5° C as Sample Output Temperature
- ✓ Operates the External Sample pump below 12° C
- ✓ Operates the Peristaltic Pumps periodically
- ✓ Trips the External Pump output if condensate is detected

**INDICATORS:** There are Four LED Status Indicator - Power, Status of Cooler Temperature, Pump and Condensate.

**FAULT ALARM:** The Micro Controller Generates fault Alarm in case of Cooler Temperature failure and condensate detection

### Other Specifications

Sample Connection	Inlet	- 1/4" OD
	Outlet	- 1/4" OD
	Drain	- Flexible tube connection
Enclosure	Dimension	330 (H) x 300 (W) x 267 (D) mm
	Protection	Suitable for Safe Area, IP 20
	Weight	Approx. 11 Kgs
Power Supply	230 VAC, 50 Hz, 150 VA	



Notes: - The final responsibility to check whether this product meets the requirement of the Process and / or Analyser remains solely with the customer. - M/s SARVESH ANALYTICS PVT. LTD. has a policy of continuous improvement of product & services and hence reserves the right to change the specifications and features without prior notice.

### SARVESH ANALYTICS Pvt. Ltd.

Regd. Off: # 207, Vinayak Arcade, Akurdi, Pune - 411035, INDIA

Factory: Gat No.188, Jyotibanagar, Talwade, Pune - 411062 INDIA



Email: info@sarveshindia.com  
 Website: www.sarveshindia.com  
 Telephone: 91 94 2300 4179