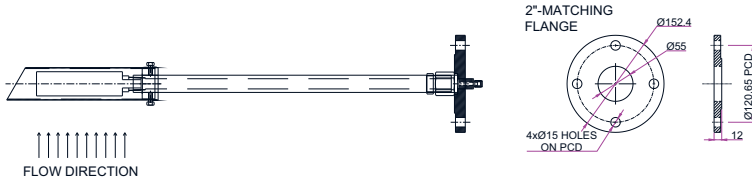




# SP-100

## SAMPLE PROBE

- \* Simple in Construction
- \* Choice of various Material of Construction
- \* Filter at the Probe Tip remains always at Sample Temperature
- \* Filter Protector protects the filter against abrasive gases
- \* Suitable for dust load - 10gm/Nm<sup>3</sup> with Filter
- + Long Life SS 316 Filter, 5 Micron
- + Process Connection: 2" ANSI
- + Sample Gas Connection: 1/4" OD



### Probe Type

Sample Probe - Unheated, without Blowback

### Material Of Construction

SS 316 Suitable upto 550° C

Inconel 625 Suitable upto 1100° C

Ceramic Suitable upto 1400° C

PTFE Probe and Flange Suitable upto 180° C

### Filter Elements

None

Filter, Sintered SS, 5 micron @ Tip w/o Protection

Filter, Sintered SS, 5 micron @ Tip with Protection

### Blowback

None

### Probe Insertion Length

300 mm

500 mm

750 mm

1000 mm

1500 mm

Order Code:

1	2	3	4	5	6	7	8
P				X	X		

1	0	0
1	1	0
1	2	0
1	3	0

X
1
2
X

0	3
0	5
0	7
1	0
1	5

Notes:  
 -The final responsibility to check whether this product meets the requirement of the Process and / or Analyser remains solely with the customer.  
 - M/s SARVESH ANALYTICS PVT. LTD. has a policy of continuous improvement of product & services and hence reserves the right to change the specifications and features without prior notice.

## SARVESH ANALYTICS Pvt. Ltd.

Regd. Off: # 207, Vinayak Arcade, Akurdi, Pune - 411035, INDIA  
 Factory: Gat No.188, Jyotibanagar, Talwade, Pune - 411062 INDIA



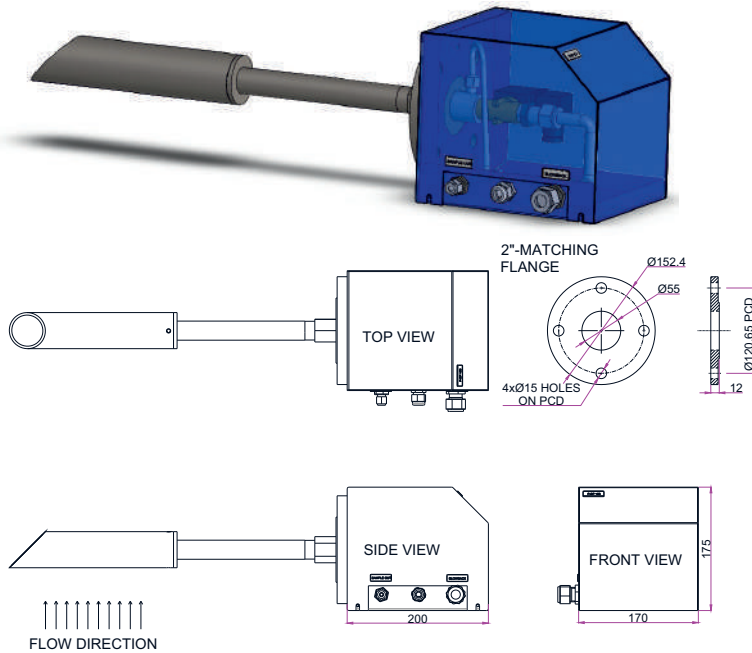
Email: info@sarveshIndia.com  
 Website: www.sarveshIndia.com  
 Telephone: 91 94 2300 4179



# SP-200

## SAMPLE PROBE with BLOWBACK

- \* Separate Sample and Blowback Path for efficient Blowback.
  - \* Blowback Solenoid Valve is standard.
  - \* Filter at the Probe Tip remains always at Sample Temperature
  - \* Filter Protector protects the filter against abrasive gases
  - \* Suitable for dust load - 10gm/Nm<sup>3</sup> with Filter
- ◆ Choice of various Material of Construction
  - ◆ Long Life SS 316 Filter, 5 Micron
  - ◆ Process Connection: 2" ANSI
  - ◆ Sample Gas Connection: 1/4" OD
  - ◆ Blowback Connection: 1/2" OD



**Probe Type**

Sample Probe - Unheated, with Blowback

**Material Of Construction**

SS 316 Suitable upto 550° C

Inconel 625 Suitable upto 1100° C

Ceramic Suitable upto 1400° C

**Filter Elements**

None

Filter, Sintered SS, 5 micron @ Tip w/o Protection

Filter, Sintered SS, 5 micron @ Tip with Protection

**Blowback**

With Blowback

**Probe Insertion Length**

300 mm

500 mm

750 mm

1000 mm

1500 mm

Order Code:

1	2	3	4	5	6	7	8
P					Y		

2	0	0
2	1	0
2	2	0

X
1
2
Y

0	3
0	5
0	7
1	0
1	5

Notes:  
 -The final responsibility to check whether this product meets the requirement of the Process and / or Analyser remains solely with the customer.  
 - M/s SARVESH ANALYTICS PVT. LTD. has a policy of continuous improvement of product & services and hence reserves the right to change the specifications and features without prior notice.

**SARVESH ANALYTICS Pvt. Ltd.**

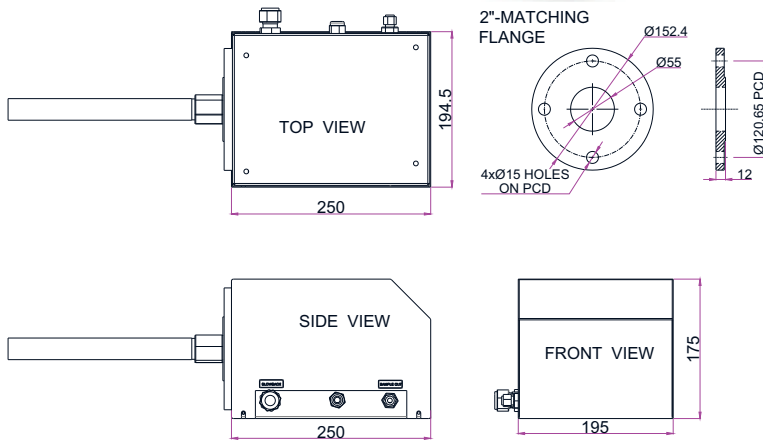
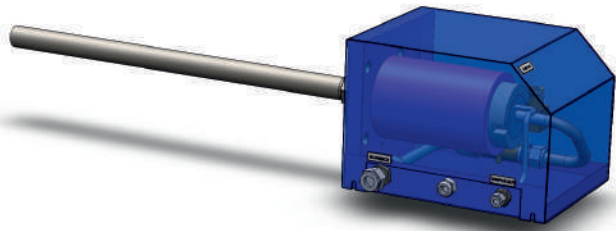
Regd. Off: # 207, Vinayak Arcade, Akurdi, Pune - 411035, INDIA  
 Factory: Gat No.188, Jyotibanagar, Talwade, Pune - 411062 INDIA



Email: info@sarveshindia.com  
 Website: www.sarveshindia.com  
 Telephone: 91 94 2300 4179



# SP - 300



## SAMPLE PROBE with BLOWBACK

- \* Filter is Ex-situ and heated
- \* Separate Sample and Blowback Path for efficient Blowback.
- \* Blowback Solenoid Valve is standard.
- \* Optional Calibration port available
- \* Suitable for dust load - 10gm/Nm<sup>3</sup>
- ◆ Choice of various Material of Construction
- ◆ Long Life SS 316 Filter, 5 Micron
- ◆ Process Connection: 2" ANSI
- ◆ Sample Gas Connection: 1/4" OD
- ◆ Blowback Connection: 1/2" OD

### Probe Type

Sample Probe - Heated, with Blowback

### Material Of Construction

SS 316 Suitable upto 550° C

Inconel 625 Suitable upto 1100° C

Ceramic Suitable upto 1400° C

### Filter Elements

Filter, Sintered SS, 5 micron

### Blowback

With Blowback

### Probe Insertion Length

300 mm

500 mm

750 mm

1000 mm

1500 mm

Order Code: 

1	2	3	4	5	6	7	8
P				Y	Y		

3 0 0

3 1 0

3 2 0

Y

Y

0 3

0 5

0 7

1 0

1 5

### Notes:

-The final responsibility to check whether this product meets the requirement of the Process and / or Analyser remains solely with the customer.  
 - M/s SARVESH ANALYTICS PVT. LTD. has a policy of continuous improvement of product & services and hence reserves the right to change the specifications and features without prior notice.

## SARVESH ANALYTICS Pvt. Ltd.

Regd. Off: # 207, Vinayak Arcade, Akurdi, Pune - 411035, INDIA

Factory: Gat No.188, Jyotibanagar, Talwade, Pune - 411062 INDIA



Email: info@sarveshindia.com

Website: www.sarveshindia.com

Telephone: 91 94 2300 4179